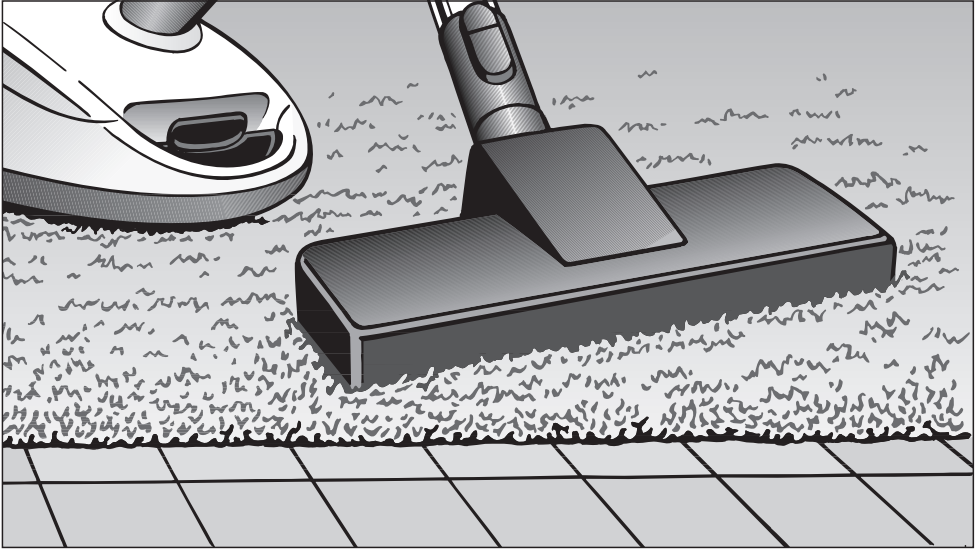


Operating instructions



Vacuum cleaners S 4000 Series

To avoid the risk of accidents or damage to the appliance, it is **essential** to read these instructions before using it for the first time.

These operating instructions apply to standard models S 4212 - S 4782 as well as to other S 4000 series vacuum cleaners which are distinguished by names rather than numbers.

en - GB

M.-Nr. 07 345 550

Contents

Caring for the environment	3
Description of the appliance	4
Warning and Safety instructions	6
Preparing for use	10
Using the accessories supplied	13
Use	15
Mains cable	15
Switching on and off	15
Regulating the suction	17
Opening the air inlet valve	19
Setting down, transportation and storage	20
Maintenance and care	21
Purchasing new dustbags and filters	21
When to change the dustbag	22
Replacing the dustbag	23
When to change the exhaust filter	24
Exhaust filter change indicator	24
Replacing the Air Clean filter	25
Replacing the Active Air Clean or Active HEPA filter	26
Replacing one type of filter with another	27
When to change the dust compartment filter (for motor protection)	28
How to change the dust compartment filter	28
When to change the battery in the radio-operated handle	29
How to change the battery in the radio-operated handle	29
When to change the thread lifters	30
To replace the thread lifters	30
Cleaning and care	31
Problem solving guide / After sales service	32
Optional accessories	33
Electrical connection for the UK	35

Disposal of packing material

The transport and protective packing has been selected from materials which are environmentally friendly for disposal and should be recycled.

Ensure that any plastic, wrappings, bags etc. are disposed of safely and kept out of the reach of babies and young children. Danger of suffocation.

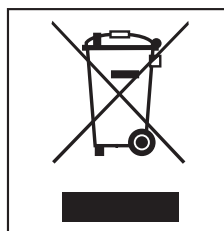
Disposing of the dustbag and filters

These are made from environmentally friendly materials, and can be disposed of with the normal household waste, as long as they have been used exclusively for general household dust.

Disposal of your old appliance

Before disposing of your old appliance remove the dustbag and all the filters and dispose of them with your normal household waste.

Electrical and electronic appliances often contain materials which, if handled or disposed of incorrectly, could be potentially hazardous to human health and to the environment. They are, however, essential for the correct functioning of your appliance. Please do not therefore dispose of it with your household waste.



Please dispose of it at your local community waste collection / recycling centre or contact your dealer for advice.

Ensure that it presents no danger to children while being stored for disposal.

Description of the appliance




The illustration shows the maximum number of features available on these Miele vacuum cleaners.

Certain models are supplied as standard with the following accessories which are not illustrated on this page.

- Classic Allergotec floorhead
- Turbobrush
- ACCU NOVA floorhead

These floorheads and brushes are supplied with their own operating instructions.

Description of the appliance

- ① Handle (some models have an air inlet valve in the handle) *
- ② Suction power selector + / - *
- ③ Stand-by button for pauses in vacuuming *
- ④ LED *
- ⑤ Release button
- ⑥ Accessories holder
- ⑦ Release buttons for the telescopic tube *
- ⑧ Dust compartment release button
- ⑨ Telescopic tube *
- ⑩ HyClean dustbag
- ⑪ Carrying handle
- ⑫ Floorhead *
- ⑬ Parking attachment
- ⑭ Dust compartment filter (for motor protection)
- ⑮ Exhaust filter *
- ⑯ Suction power selector *
- ⑰ Stand-by indicator *
- ⑱ Overheating warning light  *
- ⑲ Exhaust filter change indicator (Re-set button) *
- ⑳ Mains cable
- ㉑ Foot switch for automatic cable rewind
- ㉒ Park system
- ㉓ On/Off foot switch ①
- ㉔ Dustbag change indicator
- ㉕ Connection socket
- ㉖ Suction hose

Those features marked * depend on the model, and may vary or not be available on your model.

Warning and Safety instructions

This vacuum cleaner meets statutory safety requirements. Improper use can, however, lead to personal injury and material damage.

To avoid the risk of accidents and damage to the vacuum cleaner, read these instructions carefully before using it for the first time. They contain important notes on its safety, operation and maintenance.

Keep these instructions in a safe place and ensure new users are familiar with the content. Pass them on to any future owner.

Always disconnect the vacuum cleaner from the mains supply when you have finished using it, as well as for maintenance work and cleaning. Switch it off at the wall socket and unplug it. If using the ACCU NOVA powerbrush, switch this off as well.

Correct application

► This vacuum cleaner must only be used for domestic household purposes to vacuum dry floor surfaces. Do not use on people or animals.

Any other usage, modification or alteration is at the owner's risk and could be dangerous.

The manufacturer cannot be held liable for damage resulting from improper or incorrect use of the appliance.

► This appliance is not intended for use by persons (including children) with reduced physical, sensory or mental capabilities, or lack of experience or knowledge, unless they are supervised whilst using it or have been shown how to use it correctly by a person responsible for their safety.

Safety with children

► This vacuum cleaner is not a toy! To avoid the risk of injury, keep children well away, and do not allow them to play with it or to use the controls. Supervise children whilst you are using it.

► Older children may only use the vacuum cleaner if its operation has been clearly explained to them, and they are able to use it safely, recognising the dangers of incorrect use.

► Models with radio controls on the handle: Keep batteries out of the reach of children.

Warning and Safety instructions

Technical safety

▶ Ensure that the connection data on the data plate (voltage and frequency) match the mains electricity supply. It is essential that they match to avoid damage to the appliance.

▶ The plug must be fitted with a 13 A fuse (UK).

▶ Before using the vacuum cleaner, check for any signs of damage. Do not use a damaged appliance: it could be dangerous.

▶ There is a metal inlay underneath the handle which is designed to avoid the unpleasant effects of electrostatic discharges. Please make sure that you keep your hand in constant contact with this metal strip during vacuuming.

▶ Do not pull or carry the vacuum cleaner by the cable and be careful not to damage the cable when withdrawing the plug from the socket. Keep the cable away from sharp edges and do not let it be squashed, for example, under a door. Avoid running the vacuum cleaner over the cable.

This could damage the cable, plug or socket and pose a safety hazard. The appliance must not be used if any of these have suffered damage.

▶ If the cable is damaged it must be replaced together with a complete cable rewind. For safety reasons this must only be done by the Miele Service Department or a Miele authorised service technician.

▶ While the vacuum cleaner is under guarantee, repairs should only be undertaken by a service technician authorised by Miele. Otherwise the guarantee will be invalidated.

▶ Repairs should only be carried out by a Miele authorised service technician. Repairs and other work by unqualified persons could be dangerous. The manufacturer cannot be held liable for unauthorised work.

▶ It is important to switch the vacuum cleaner off before changing over accessories and floorheads, especially an Electro- or Turbobrush.

▶ Do not let the vacuum cleaner get wet. Clean only with a dry cloth or slightly damp cloth when disconnected from the mains supply. If moisture gets into the appliance, there is a risk of electric shock.

Warning and Safety instructions

Correct use

▶ To avoid the risk of damage, do not use the vacuum cleaner without the dustbag, dust compartment filter and exhaust filter in place. Otherwise it could get damaged.

▶ If a dustbag is not inserted, the dust compartment cover does not normally close. Do not force it.

▶ Do not vacuum up any water, liquid or damp dirt. This will cause major faults and could seriously impair the functioning and electrical safety of the appliance. Wait until any freshly cleaned or shampooed carpets or floor coverings are completely dry before attempting to vacuum.

▶ Do not vacuum toner dust. Toner, such as that used in printers and photocopiers, can conduct electricity. The filter system in the vacuum cleaner may not filter it completely, causing the toner to be blown back into the room by the fan.

▶ Do not vacuum up anything which has been burning or is still glowing e.g. cigarettes, ashes or coal, whether glowing or apparently extinguished. The cleaner might catch fire.

▶ Do not vacuum up any inflammable or combustible liquids or gases and do not vacuum in areas where such substances are stored. The cleaner might explode.

▶ Do not vacuum up items which are heavy, hard or have sharp edges. They could cause a blockage and damage the appliance.

▶ Floor attachments, accessories and tubes must not be used at head level to avoid the risk of injury, e.g. to eyes and ears.

▶ Monitor the change dustbag indicator and change the dustbag if necessary. Check the exhaust and dust compartment filters at the same time and change them too if necessary. A full bag or blocked filter will reduce the suction power of the cleaner. A temperature limiter switches the vacuum cleaner off automatically if it gets too hot. See "Problem solving guide".

▶ Important information on the handling of batteries (for models with radio controls on the handle):

- Do not use rechargeable batteries.
- Do not short circuit or recharge batteries, or throw them into a fire. Danger of explosion.
- Disposing of batteries: Remove the batteries from the radio control handle and dispose of them in your recycling bin. Do not dispose of them with the normal household waste.

Accessories

Miele accessories including floorheads, filters and dustbags are available to order from your Miele retailer, the Miele Spare Parts Department or via the internet on www.miele-shop.com.

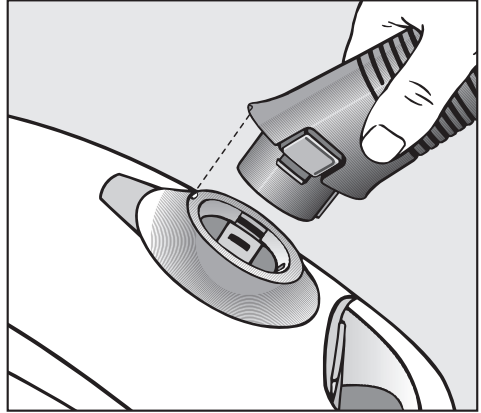
- ▶ To avoid the risk of injury when vacuuming with a Miele Electrobrush or Turbobrush, do not touch the rotating roller brush.
- ▶ It is not advisable to vacuum directly with the handle, i.e. without an accessory attached as the rim could get damaged and you could hurt yourself on sharp edges.
- ▶ Miele dustbags are disposable and intended to be used only once. Do not attempt to re-use. Blocked pores reduce the efficiency of the cleaner.
- ▶ Use only genuine Miele dustbags, filters, accessories and optional accessories. This will ensure optimum performance of the appliance throughout its life.

The manufacturer cannot be held liable for damage caused by non-compliance with these Warning and Safety instructions.

Preparing for use

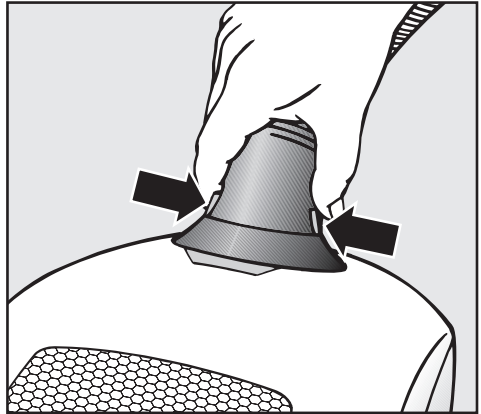
Attaching the suction hose

- Insert the hose connector into the socket until it clicks into position. To do this, line up the guides on the two pieces.



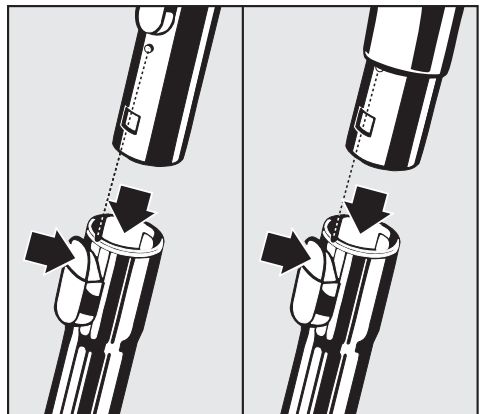
To remove the suction hose from the cleaner

- Press the release buttons at the side of the hose connector, and lift the hose from the socket.



Connecting the handle to the suction tube

- Insert the handle into the suction tube until it clicks into position. To do this, line up the guides on the two pieces.
- To release the handle from the suction tube, press the locking button (see arrow) and pull the handle away from the suction tube.



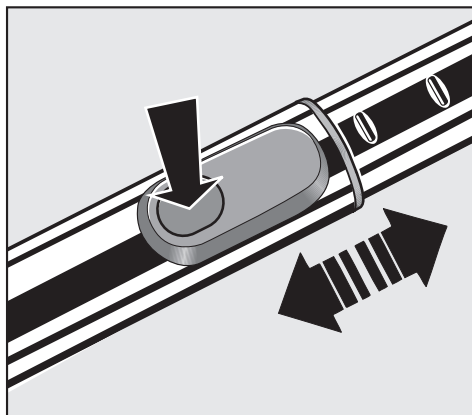
Your vacuum cleaner is fitted with one of the following types of suction tube, depending on the model:

- 2-part telescopic tube
- Triscopic telescopic tube

Adjusting the telescopic suction tube

One part of this telescopic tube is packed inside the other and can be adjusted to suit your height for comfortable vacuum cleaning.

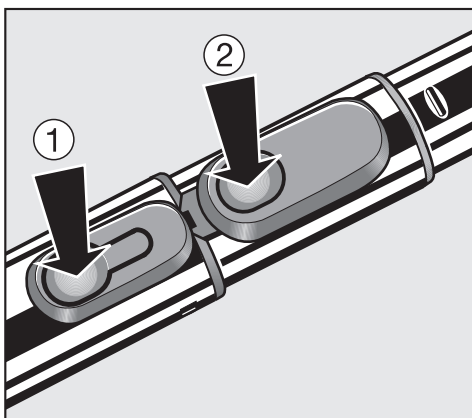
- Press the telescopic tube release button (see arrow) to release the tubes and adjust to the required height.



Adjusting the triscopic suction tube

The triscopic tube has three sections. Two sections of the telescopic tube are packed together inside a third outer tube.

- Press the release button (see arrow ①) to release the lower tube and pull it right out until it clicks. Press the button again when you want to retract the tube again. The tube will click into place.
- Press the telescopic tube release button ② to release the tubes and adjust to the required height.



Preparing for use

Fitting the standard floorhead

- Push the suction tube into the floorhead and turn it clockwise or anti-clockwise until it clicks into position.
- To release the floorhead from the suction tube, press the locking button (see arrow) and pull the suction tube away from the floorhead.

The floorhead can be used for all normal cleaning of carpets and rugs. It can also be used with the brush protruding to vacuum hard flooring. For hard flooring, such as stone and parquet, we recommend using one of the special Miele floor brushes (see "Optional extras").

It is also important to observe the flooring manufacturer's cleaning and care instructions.

Vacuum carpets and rugs with the brush retracted:

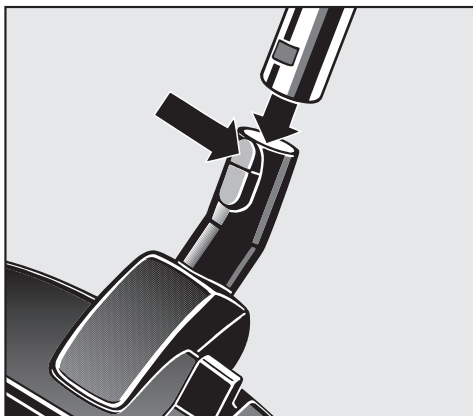
- Press the foot switch .

Clean hard flooring which is not susceptible to scratching with the brush protruding:

- Press the foot switch .

The Classic Allergotec floorhead, the ACCU NOVA floorhead and the Turbobrush

Some models may be supplied as standard with one of these accessories (see "Optional accessories"). Please refer to the separate operating instructions supplied with these brushes for instructions on use and maintenance.

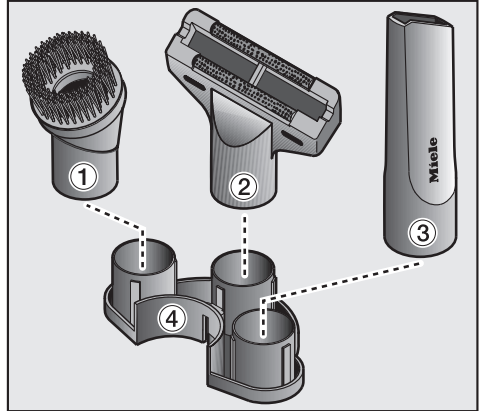


Using the accessories supplied

The following accessories are supplied:

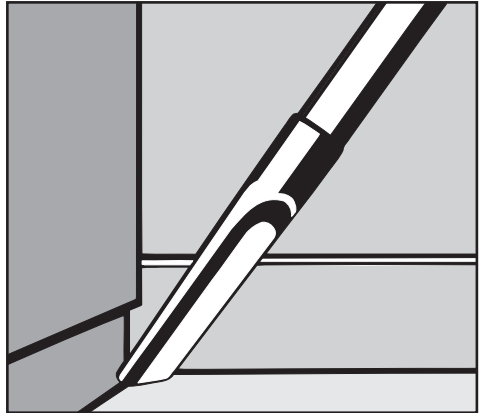
- ① Dusting brush
- ② Upholstery nozzle
- ③ Crevice nozzle
- ④ Accessory holder for the above accessories

Symbols on the holder show where to attach the different accessories.



Crevice nozzle

For cleaning in folds, crevices or corners.



Dusting brush

(supplied with some models)

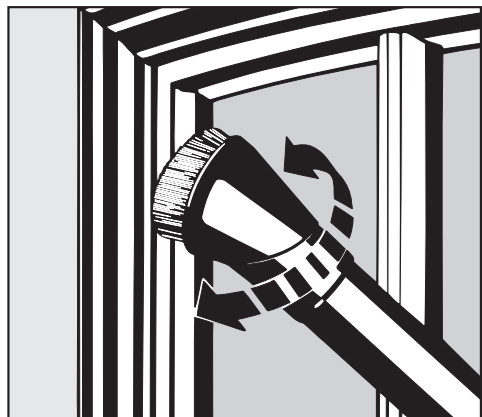
For cleaning skirting boards, ornate or carved articles, etc.

The head of the dusting brush can be swivelled to attain the best cleaning position.

Dusting brush with natural bristles

(supplied with some models)

This brush is suitable for particularly delicate objects.



Using the accessories supplied

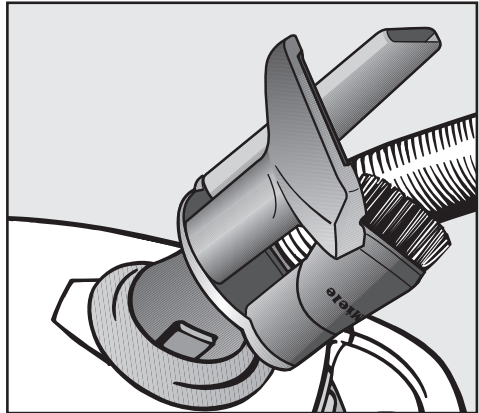
Upholstery nozzle

For cleaning upholstery, mattresses, cushions, curtains, covers etc.



Accessories holder

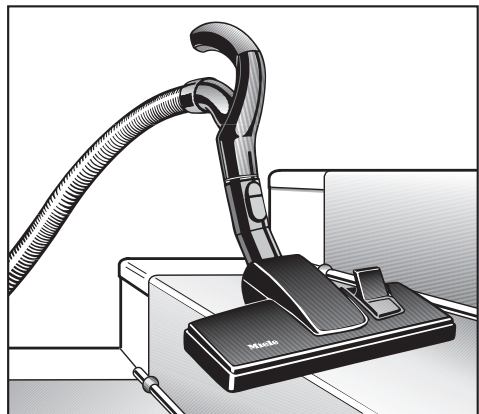
- Attach the accessories holder to the suction tube.



Floorhead

For general use and also for vacuuming the stairs.

For safety reasons when vacuuming stairs it is best to start at the bottom of the stairs and move upwards.

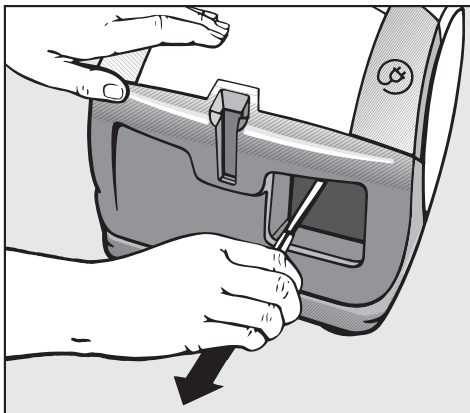


Mains cable

Unwinding the cable

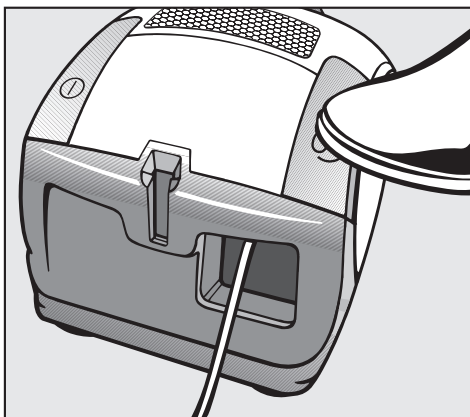
- Pull out the mains cable to the required length (max. approx. 5.5 m).

Warning: If vacuuming for longer than 30 minutes, the mains cable must be pulled out to its fullest extent. Otherwise there is a danger of overheating and damage.



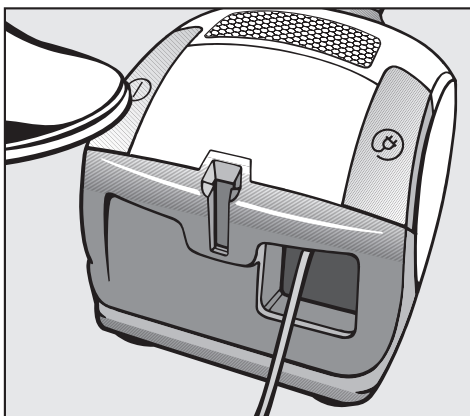
Rewinding the cable

- Switch off at the wall socket and remove the plug.
- Press the rewind foot switch. The cable will rewind automatically.



Switching on and off

- Step on the On-Off foot switch ①.



Use

Models with radio controls

Certain models have controls on the handle which transmit radio signals to the vacuum cleaner. The stand-by indicator on the vacuum cleaner will light up when the vacuum cleaner is ready to use.

To pause the appliance during operation:

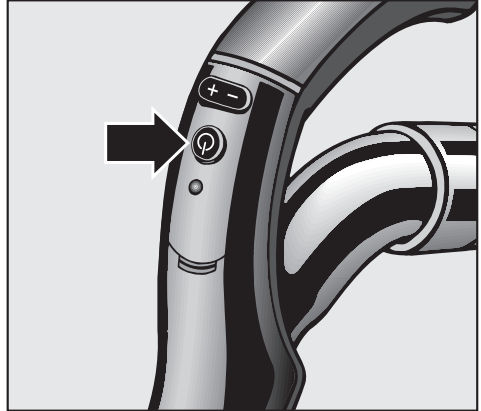
- Press the stand-by button on the handle.

Warning: The stand-by button is designed to pause the vacuum cleaner for short periods of time whilst vacuuming. After vacuuming the device has to be switched off and unplugged from the mains supply.

An LED will indicate each time a button is pressed on the handle.

At the end of the pause you can do one of the following:

- Press the stand-by button again to switch the vacuum cleaner back on at the setting you were using before pausing it.
- Press the + button to switch the vacuum cleaner back on using the highest power setting.
- Press the - button to switch the vacuum cleaner back on using the lowest power setting.



Vacuuming





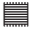

- When vacuuming, pull the cleaner behind you on its wheels. You can stand it upright for vacuuming stairs and curtains etc.

Warning: When vacuuming especially fine dust, e.g. sawdust, sand, plaster, flour, talcum powder etc., electrostatic charges build up naturally. Under certain conditions these charges will be released. To avoid the unpleasant effects of these discharges, a metal inlay has been incorporated into the underside of the handle. Please make sure that you keep your hand in constant contact with this metal strip during vacuuming.

Regulating the suction

The suction power can be regulated to suit the type of flooring. The higher the wattage, the more powerful the suction. Reducing the suction power reduces the amount of effort required to manoeuvre the floorhead.

Some models also have symbols on the controls. The symbols indicate the type of use the settings are suitable for.

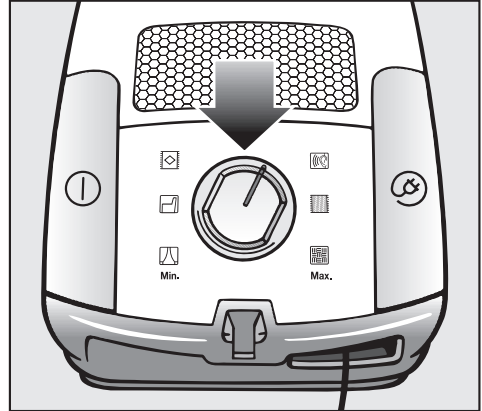
-  - curtains, lightweight fabrics
-  - upholstery, cushions
-  - carpets, rugs and runners
-  - for daily energy-saving vacuuming
-  - lightly soiled rugs and fitted carpets
-  - heavily soiled hard flooring, and for intensive cleaning of carpets

The controls vary from model to model. The different options are carried out in sequence.

Use

Rotary selector

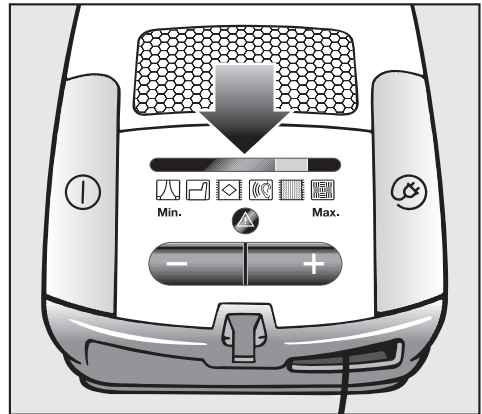
- Turn the suction power selector manually to the suction power setting you require.



+ / - foot controls

Press the controls to select the suction power you require.

- Press the + control to select a higher setting.
- Press the - control to select a lower setting.

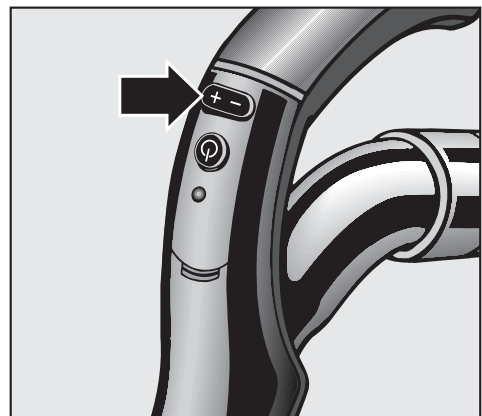


+ / - controls on the handle (radio-operated)

Press the control until the suction power you require shows in the display on the cleaner.

- Press the + control to select a higher setting.
- Press the - control to select a lower setting.

An LED will indicate each time a button is pressed on the handle.



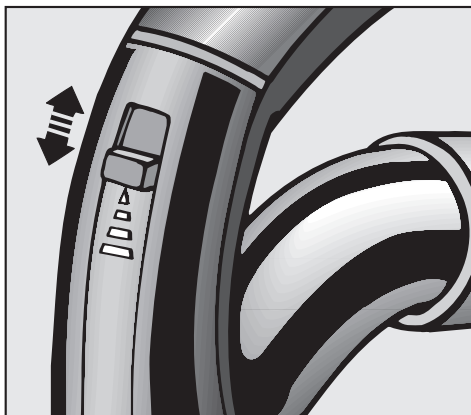
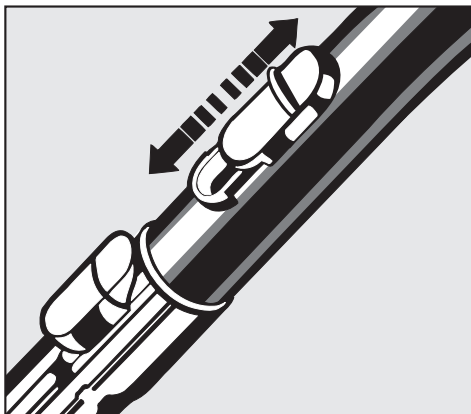
Opening the air inlet valve

(not on models with radio-controls on the handle)

It is easy to reduce the suction power for a short time, e.g. to prevent rugs or other objects being sucked into the vacuum cleaner.

- Open the air inlet valve far enough to reduce the suction power.

The floorhead will be easier to manoeuvre. Close the valve up again when you are ready to use full power again.

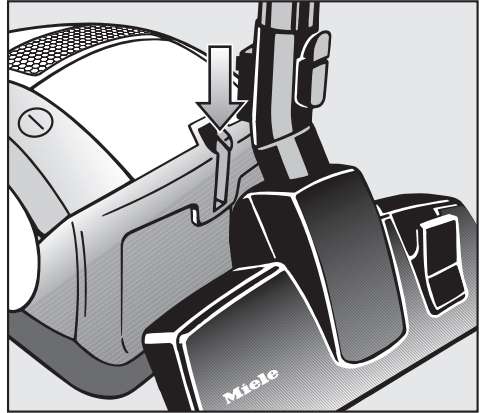


Setting down, transportation and storage

Parking system

A parking system has been designed for conveniently parking the vacuum cleaner during pauses.

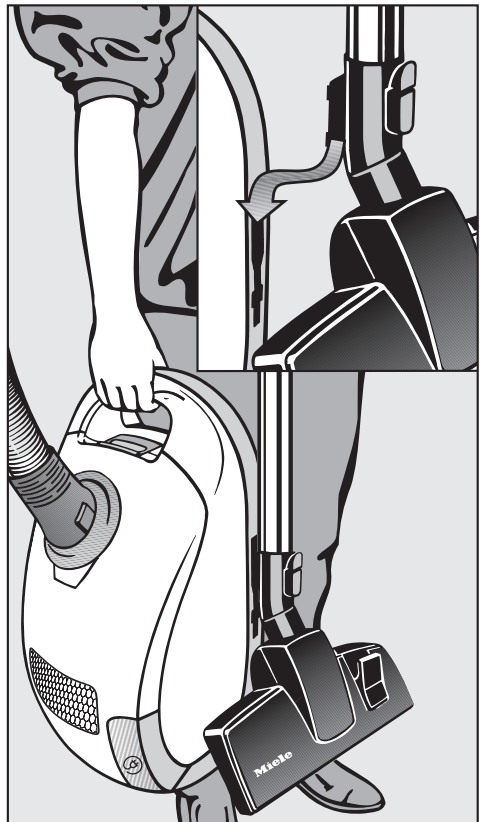
- Slot the floorhead into the parking attachment at the back of the vacuum cleaner.



Transportation and storage

- Stand the vacuum cleaner upright when it is not being used and during storage.
- Slot the floorhead downwards into the parking attachment on the side of the vacuum cleaner.
- Retract the telescopic tube fully.

This makes the cleaner easier to carry or store.



Warning: Always disconnect the vacuum cleaner from the electrical supply for maintenance work and for cleaning. Switch off at the wall socket and remove the plug. If using the ACCU NOVA floorhead, switch this off as well.

The Miele filter system consists of three filters which must be replaced from time to time to ensure that your cleaner performs efficiently.

- Dustbag
- Exhaust filter
- Dust compartment filter (for motor protection)

Use only genuine Miele dustbags, filters, accessories and optional accessories. Only this will ensure that the suction power of the vacuum cleaner is maintained, giving the best possible cleaning results.

Warning: The use of dustbags made from paper or paper-based materials, or dustbags with a cardboard collar, or dustbags that do not carry the "Original Miele" logo, can seriously damage the vacuum cleaner and invalidate the warranty.

Purchasing new dustbags and filters

Original Miele dustbags and filters can be obtained from your Miele Dealer, from Miele and via the internet at:



Only use original Miele **F/J/M** dustbags with a red collar. Using any other dustbags will damage the vacuum cleaner. Original Miele dustbags are identified by the "Original Miele" logo on the packaging or directly on the dustbag.

ORIGINAL
Miele



An Air Clean filter and a dust compartment filter are supplied with every packet of Miele dustbags. These can also be purchased separately.

You can replace the exhaust filter fitted in the vacuum cleaner with one of the other Miele exhaust filters if you wish (see "Optional accessories").

Maintenance and care

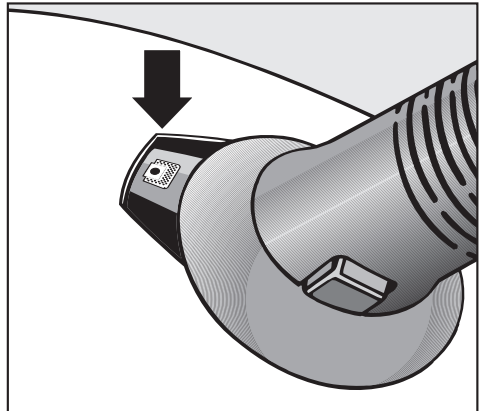
When to change the dustbag

Change the dustbag when the colour marker in the dustbag change indicator fills the display, or sooner if it is no longer effective (see possible reasons for this below).

Dustbags are designed for single use only. Do not attempt to re-use them as suction would be reduced.

Checking the dustbag change indicator

- Attach the standard floorhead to the suction tube. Do not use any of the other floorheads or attachments as they will cause the dustbag change indicator to give a false reading.
- Switch the vacuum cleaner on and select the highest power setting.
- Lift the floorhead off the floor a little. If the marker completely fills the dustbag change indicator, you should replace the dustbag with a new one.



How the dustbag change indicator works

The dustbag change indicator is set for normal household dust. Normal household dust would contain a mixture of dust, hair, carpet fluff, threads, grit etc.

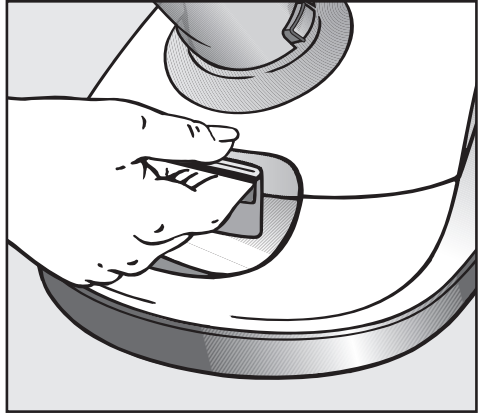
However, if the vacuum cleaner has been used to suck up fine dust, such as plaster, brick dust, cement or flour, the pores of the dustbag will become blocked very quickly. This affects the air permeability of the bag, and the marker will indicate that the bag is "full" even when it is not. If this happens you must still change the dustbag because suction power will be greatly reduced by blocked pores in the dustbag.

If, on the other hand, you have vacuumed up a large amount of hair and carpet fluff which typically contains a lot of air, the indicator may fail to react even though the bag is full. You should still change it! Both these extremes can occur.

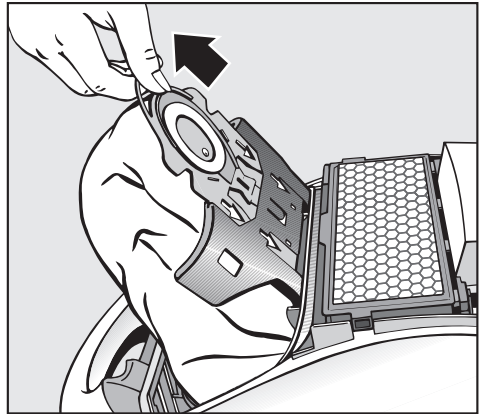
Replacing the dustbag

- Press the release button for the dust compartment lid and raise the lid as far as it will go.

The dustbag has a closing flap which closes automatically when the dust compartment lid is raised to prevent any dust escaping.



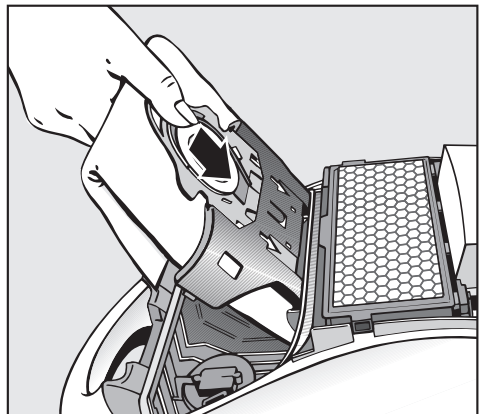
- Pull the dustbag out by the grip next to the self-closing flap on the collar.



- Fit the new dustbag into the holder as far as it will go. Leave it folded up when you take it out of the box.

- It should be unfolded in the dust compartment.

- Close the dust compartment lid securely, making sure it clicks into position. Take care not to trap the dustbag when doing so.



Warning: The lid will not close without a dustbag in place, or if the dustbag is incorrectly fitted. Do not use force!

Maintenance and care

When to change the exhaust filter

Depending on the model, your vacuum cleaner will be fitted as standard with one of the following exhaust filters:

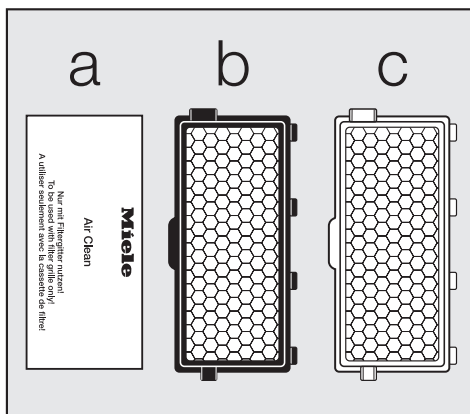
a Air Clean filter

Replace this filter every time you start a new packet of Miele dustbags. An Air Clean exhaust filter and a dust compartment filter are supplied with every packet of Miele dustbags.

b Active Air Clean SF-AAC 50 (black)

c Active HEPA SF-AH 50 (blue)

These types of filter need to be changed approx. once a year. Make a note of the date on the filter.



Exhaust filter change indicator

Certain models are fitted with an exhaust filter change indicator (reset control) to show when to change your Active Air Clean **b** or Active HEPA **c** filter.

The indicator lights up after approx. 50 hours of operation which is equivalent to about a year of average use. You can continue vacuuming when the light comes on. However, the suction power will be reduced as will the effectiveness of the filter if it is not replaced in good time.

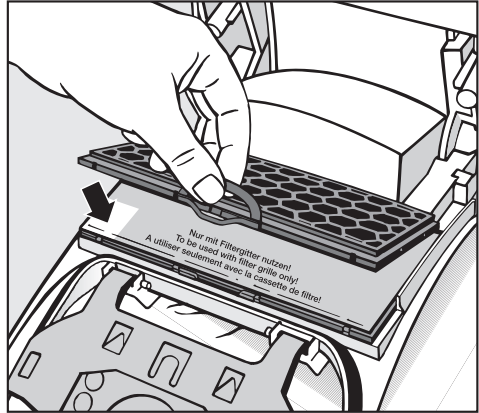
The filter change indicator light is irrelevant if an Air Clean filter (**a**) is being used, as long as it is replaced every time a new packet of Miele dustbags is started. The indicator light will go out when the reset button is pressed.



Replacing the Air Clean filter

Do not use more than one exhaust filter at a time.

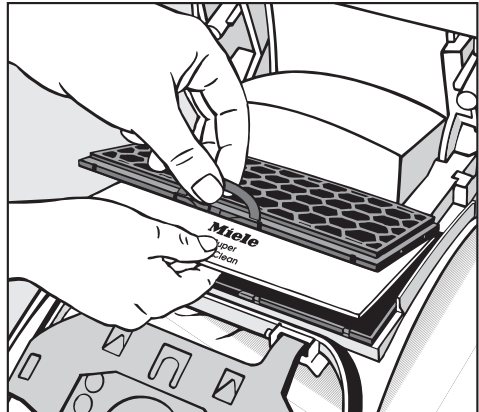
- Open the dust compartment lid.
- Release the filter grille and raise it upwards. Grasp the used Air Clean filter by the clean, unsoiled section (see arrow) and take it out.



- Replace it with a new Air Clean filter.

If you wish to replace the Air Clean filter with an Active Air Clean filter or with an Active HEPA filter see "Replacing one type of filter with another".

- Close the filter grille.
- Close the dust compartment lid firmly. It should click into place.



Maintenance and care

Replacing the Active Air Clean or Active HEPA filter

Do not use more than one exhaust filter at a time.

- Open the dust compartment lid.
- Remove the exhaust filter.

- Fit the new exhaust filter in position.

If you wish to replace the Active Air Clean filter or the Active HEPA filter with an Air Clean filter see "Replacing one type of filter with another".

- Close the dust compartment lid firmly. It should click into place.

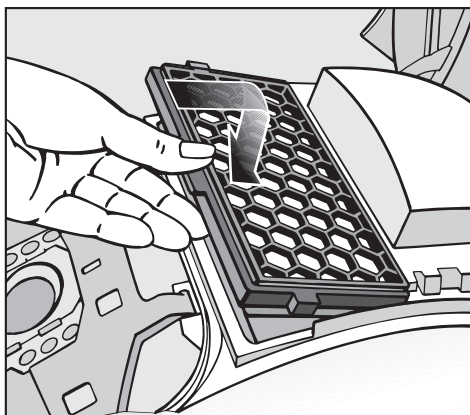
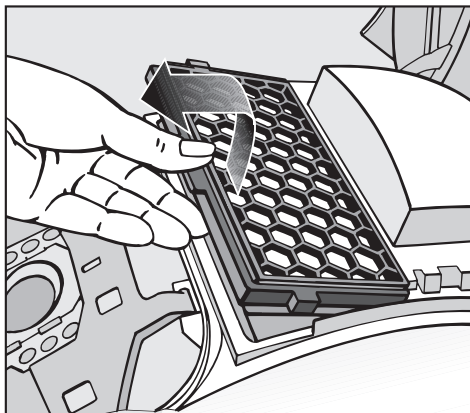
Re-setting the exhaust filter change indicator

If your vacuum cleaner is fitted with an exhaust filter change indicator, this needs to be re-set each time the filter is replaced. To do this the vacuum cleaner must be connected to the electricity supply.

- Press the reset button.

The exhaust filter change indicator goes out, and resets to zero.

The filter change indicator can only be reset by pressing the reset button after the light has come on. Pressing the button at any other time will have no effect.



Reset



Replacing one type of filter with another

Depending on the model, your vacuum cleaner will be fitted as standard with one of the following exhaust filters:

- a** Air Clean filter
- b** Active Air Clean SF-AAC 50 (black)
- c** Active HEPA SF-AH 50 (blue)

Please note

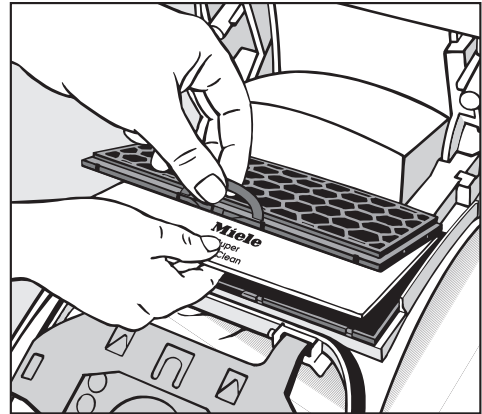
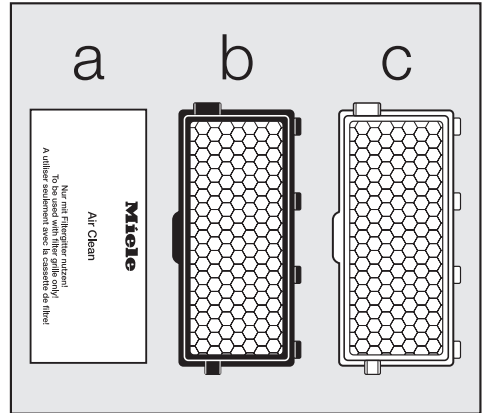
1. If you wish to replace the Air Clean filter **a** with an Active Air Clean filter **b** or an Active HEPA filter **c**, it is essential that you remove the filter grille before fitting the new type of filter.

2. If you wish to replace the Active Air Clean filter **b** or the Active HEPA filter **c** with an Air Clean filter **a**, then it is essential that you also fit a filter grille *.

* Filter grille - see "Optional accessories".

Do not use more than one exhaust filter at a time.

The exhaust filter indicator light (with reset button) that is fitted on certain models is designed to come on when the Active Air Clean or Active HEPA filters need to be changed. The filter change indicator light is irrelevant if an Air Clean filter is being used, as long as it is replaced every time a new packet of Miele dustbags is started. The indicator light will go out when the reset button is pressed.



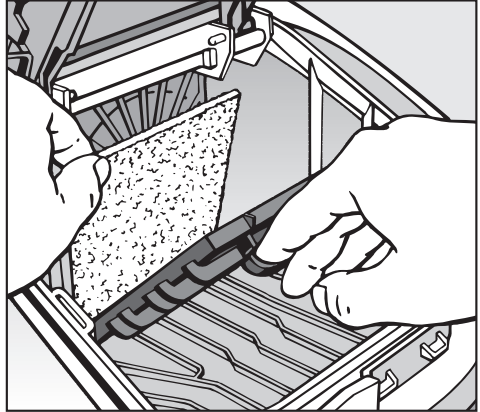
Maintenance and care

When to change the dust compartment filter (for motor protection)

Replace this filter every time you start a new packet of dustbags. A dust compartment filter is supplied with every packet of Miele dustbags.

How to change the dust compartment filter

- Open the dust compartment lid.
- Unclip the filter frame.
- Take the old filter out.
- Replace it with a new one.
- Close the filter frame.



When to change the battery in the radio-operated handle

Approx. every 18 months. One 3 V battery (CR 2032) is required.

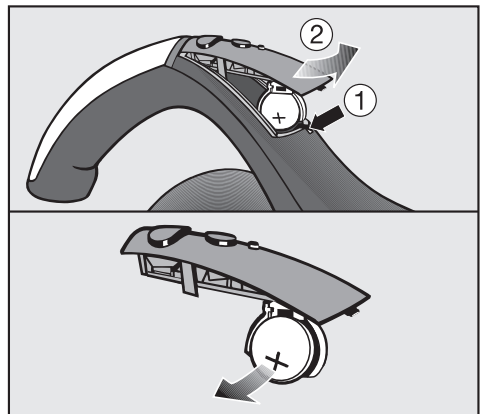
The vacuum cleaner can still be used when the battery has run out or if there is no battery fitted.

- Switch the vacuum cleaner on using the On/Off foot control ①. The vacuum cleaner is ready to use (in stand-by mode).
- Press the re-set button for the exhaust filter change indicator.

The vacuum cleaner can continue to be used, but only at maximum power.

How to change the battery in the radio-operated handle

- ① Release the battery compartment cover using a suitable tool, e.g. a screwdriver.
- ② Remove the cover.
 - Push the battery forwards to remove it. Then replace it with a new one, making sure the polarity is correct.
 - Replace the cover.
 - Dispose of the old battery responsibly.



Maintenance and care

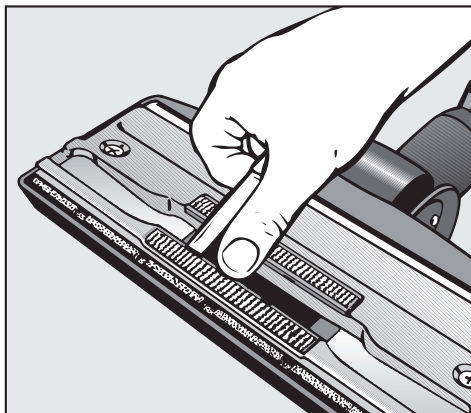
When to change the thread lifters

The thread lifters on the suction inlet to the floorhead and upholstery nozzle can be replaced.

Check them from time to time and replace them if the pile has worn down.

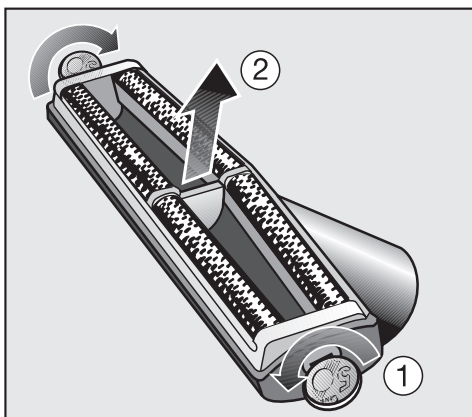
To replace the thread lifters

- Use a knife or similar object to remove them from the slots.
- Fit the new thread lifters.



Upholstery nozzle, 190 mm (supplied as standard, depending on model)

- Disengage the thread lifter unit at each side of the upholstery nozzle using a coin.
- Fit a new thread lifter unit and lock into position.

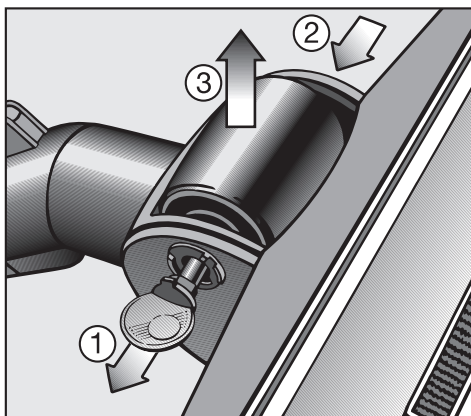


If threads or hair have wound round the bearing on the floorhead roller:

- ① Release the bearing (with bayonet fitting) using a coin.
- ② Press the bearing out, and remove.
- ③ Take out the roller.

Remove any threads and hair, replace the roller and refit the bearing.

Replacement parts are available from your Miele dealer or from Miele (see back cover for contact details).



Warning: Always disconnect the vacuum cleaner from the electricity supply for maintenance work and for cleaning. Switch off at the wall socket and remove the plug. If using the ACCU NOVA floorhead, switch this off as well.

Vacuum cleaner and accessories

External surfaces of the vacuum cleaner and of the accessories can be cleaned with a dry or a slightly damp cloth, or with a proprietary cleaner suitable for plastic.

Warning: Do not use abrasive cleaners, glass cleaners or all-purpose cleaners. Because of their chemical composition they could cause serious damage to plastic components.

Dust compartment


The dust compartment can, if necessary, be cleaned using a **dry** duster, brush or, if available, a second vacuum cleaner to vacuum the dust out.


Warning: Do not let the vacuum cleaner get wet. If moisture gets into the appliance, there is a risk of electric shock.

Problem solving guide / After sales service

The vacuum cleaner switches off automatically.

On certain models, the overheating warning light also comes on.

A temperature limiter switches the vacuum cleaner off automatically if it gets too hot. Some models also have a warning light  which comes on to indicate that it has overheated.

This can occur if, for instance, large articles block the suction tube or when the filter bag is full or contains particles of fine dust. A heavily soiled exhaust or dust compartment filter can also be the cause of overheating. Switch off the vacuum cleaner using the On-Off switch . Disconnect from the electricity supply. Switch off at the wall socket and remove the plug.

After removing the cause, wait for approx. 20 - 30 minutes to allow the vacuum cleaner to cool down. It can then be switched on again.

After sales service

In the event of a fault that you cannot easily remedy, please contact

- your Miele dealer, or
- the nearest Miele Service Department. (See address on back page).

N.B. A call-out charge will be applied for unnecessary service visits where the problem could have been rectified as described in this instruction manual.



Please note that telephone calls may be monitored and recorded for training purposes.

Miele accessories including floorheads, filters and dustbags are available to order from your Miele retailer, Miele or via the internet at:



Please observe the flooring manufacturer's cleaning and care instructions.

Certain models are supplied as standard with one or more of the following accessories:

Floorheads / brushes

ACCU NOVA-3 rechargeable powerbrush

The ACCU NOVA powerbrush is particularly suitable for intensive vacuuming of carpets which are subject to hard wear.

Classic Allergotec-3 floorhead

This floorhead is suitable for daily hygienic cleaning of all floor surfaces.

Turbo Comfort-3 turbobrush

This turbobrush is ideal for cleaning cut pile carpet.

Hardfloor-3 floorbrush

This brush is designed for use on hard flooring such as tiled or stone floors.

Parquet-3 floorbrush

This brush has natural bristles and is designed for use on parquet floors and other surfaces which are susceptible to scratching such as laminate flooring.

Parquet twister swivel-action floorbrush

This brush is suitable for a variety of hard floor surfaces and has a swivel joint enabling it to get into awkward corners.

Parquet twister XL swivel-action floorbrush

This brush is extra wide making it suitable for large areas of flooring and has a swivel joint enabling it to get into awkward corners.

Other accessories

MicroSet

This set is specially designed for cleaning small objects and difficult to reach areas (such as PC keyboards, stereo equipment, intricately carved furniture and ornaments, models etc).

Micro-hose with combination nozzle

For cleaning awkward to reach places, such as vents and stereo equipment and also small intricate objects, such as model railways or cars.

CarClean Set Plus

For valeting the interior of cars.

Optional accessories

Hand-held mini Turbobrush

For cleaning upholstery, mattresses, car seats etc.

Universal brush

For dusting books, shelves, etc.

Dusting brush with natural bristles

This brush is suitable for particularly delicate objects.

Radiator brush

For cleaning radiators, narrow shelves and crevices.

Mattress nozzle

For cleaning upholstery, mattresses, cushions, curtains, covers etc.

Crevice nozzle, 300 mm

For cleaning in folds, crevices and corners.

Crevice nozzle, 560 mm

For accessing awkward to reach areas.

Upholstery nozzle, 190 mm

For cleaning upholstery, mattresses, car seats etc.

Flexible extension hose

For extending the suction hose by approx. 1.5 m.

Hygiene seal with active charcoal

This prevents dust and odours escaping when the suction hose has been removed from the cleaner.

Filters

Active Air Clean exhaust filter SF-AAC 30

This filter absorbs odours from the dirt collected in the dustbag.

Active HEPA filter SF-AH 30

Excellent filtration level for the cleanest exhaust air. This filter is particularly suitable for allergy sufferers.

Filter grille

The filter grille is required if you wish to fit an Air Clean filter instead of an Active Air Clean filter or an Active HEPA filter.

All electrical work should be carried out by a suitably qualified and competent person in strict accordance with current national and local safety regulations (BS 7671 in the UK).

The voltage and connected load are given on the data plate located underneath the vacuum cleaner. Please ensure that these match the household mains supply. The fuse rating is quoted on the plug.

The appliance is supplied with a cable and moulded plug ready for connection to a 230-240 V/50 Hz a.c. single phase supply.

Non-rewireable plugs BS 1363

The fuse cover must be re-fitted when changing the fuse, and if the fuse cover is lost the plug must not be used until a suitable replacement is obtained. The colour of the correct replacement cover is that of the coloured insert in the base of the plug, or the colour that is embossed in words on the base of the plug, (as applicable to the design of plug fitted).

Replacement fuses should be ASTA approved to BS1362 and have the correct rating. Replacement fuses and fuse covers may be purchased from your local electrical supplier.

United Kingdom

Miele Co. Ltd.
Fairacres, Marcham Road
Abingdon, Oxon, OX14 1TW
Tel: 0845 365 0555
Fax: 0845 365 0777
Customer Contact Centre Tel: 0845 365 6600
E-mail: info@miele.co.uk
Internet: www.miele.co.uk

Australia

Miele Australia Pty. Ltd.
ABN 96 005 635 398
1 Gilbert Park Drive, Knoxfield, VIC 3180
Tel: (03) 9764 7130, Fax: (03) 9764 7149
Internet: www.miele.com.au

China

Miele Shanghai
Suite 4105-06, Plaza 66
1266 Nanjing Road West
Jing An District
Shanghai 200040, PRC
Tel: +86 21 6288 4200, Fax: +86 21 6288 4100
E-mail: mieleshanghai@cn.miele.com
Internet: www.miele.cn

Miele (Hong Kong) Limited

41/F - 4101, Manhattan Place
23 Wang Tai Road
Kowloon Bay
Hong Kong
Tel: (852) 2610 1331
Fax: (852) 2610 1013
Email: mielehk@miele.com.hk

India

Miele India Pvt. Ltd.
Ground Floor, Copia Corporate Suites
Plot No. 9, Jasola
New Delhi - 110025
Tel: 011-46 900 000, Fax: 011-46 900 001
E-mail: customercare@miele.in
Internet: www.miele.in

Germany - Miele & Cie. KG
Carl-Miele-Straße 29, 33332 Gütersloh

Miele

Ireland

Miele Ireland Ltd.
2024 Bianconi Avenue
Citywest Business Campus, Dublin 24
Tel: (01) 461 07 10, Fax: (01) 461 07 97
E-Mail: info@miele.ie, Internet: www.miele.ie

New Zealand

Miele New Zealand Limited
Unit L, 10-20 Sylvia Park Road
Mt. Wellington, 1060, Auckland, NZ
Tel: 0800 264 353, Fax: 0800 463 453
Internet: www.miele.co.nz

Singapore

Miele Southeast Asia
Miele Pte. Ltd.
163 Penang Road
04 - 02/03 Winsland House II
Singapore 238463
Tel: +65 6735 1191, Fax: +65 6735 1161
E-Mail: infosea@miele.com.sg
Internet: www.miele.sg

South Africa

Miele (Pty) Ltd
63 Peter Place, Bryanston 2194
P.O. Box 69434, Bryanston 2021
Tel: +27 (0) 11 548-1900
Fax: +27 (0) 11 548-1935
E-mail: info@miele.co.za
Internet: www.miele.co.za

United Arab Emirates

Miele Appliances Ltd.
P.O. Box 11 47 82
Gold & Diamond Park
Sheikh Zayed Road
Building 6 / Offices Nos. 6-214 to 6-220
Dubai
Tel: +971-4-341 84 44
Fax: +971-4-341 88 52
E-Mail: info@miele.ae
Internet: www.miele.ae